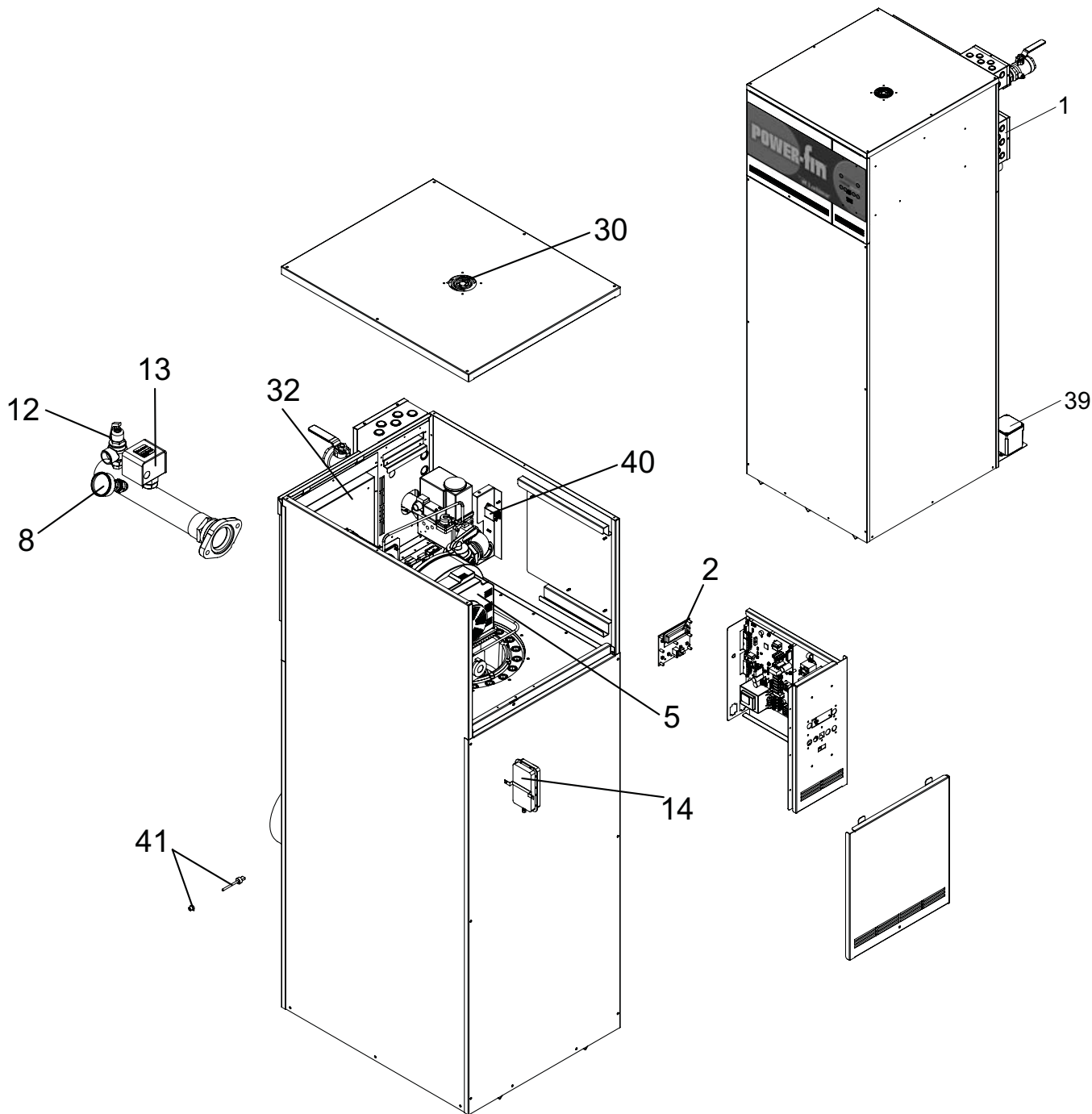




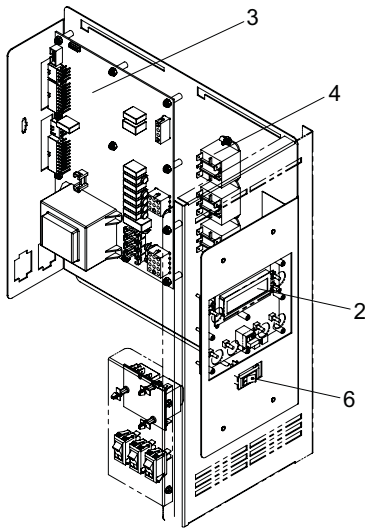
Replacement Parts List

PARTS & SERVICE DEPARTMENT
 Nashville, Tennessee
 615-889-8900 • Fax: 615-547-1000
 www.Lochinvar.com

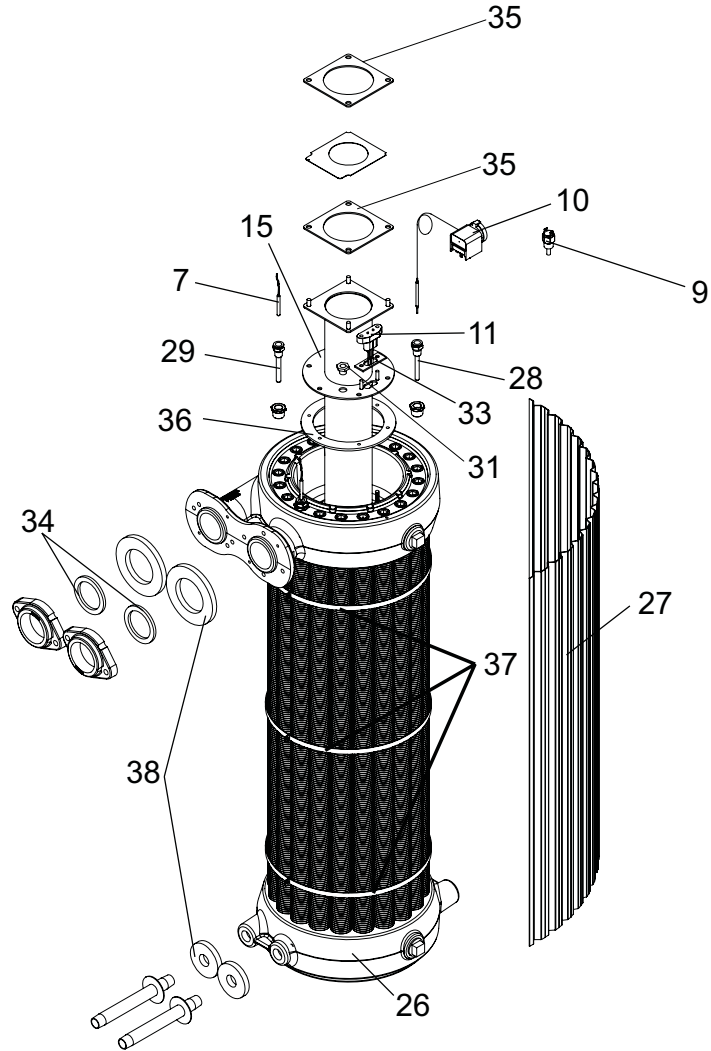
Power-Fin® Heating Boilers & Hot Water Supply Boilers PB/PF 502 thru 1302



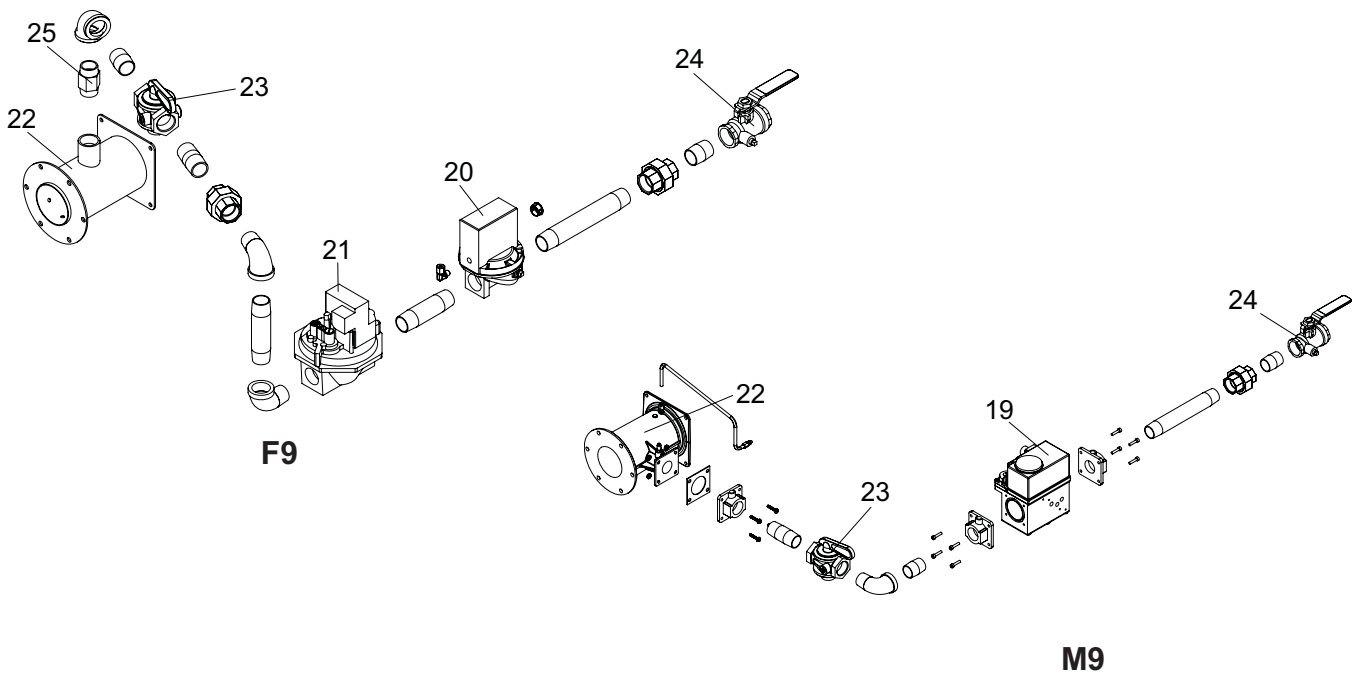
CONTROL PANEL ASSEMBLY



HEAT EXCHANGER ASSEMBLY



GAS TRAIN ASSEMBLIES



ITEM NO.	PART NO.	DESCRIPTION	MODEL NUMBER
CONTROLS & GAUGES			
1	RLY2114	CONNECTION BOARD	ALL
2	RLY2210	BOARD, CONTROL ,USER INTERFACE	ALL
3	RLY2100	BOARD, CONTROL, MAIN	ALL
4	RLY2706	PUMP RELAY	ALL
5	FAN3727	FAN, COMBUSTION AIR	ALL
6	SWT2006	ON/OFF SWITCH	ALL
7	TST2032	THERMOSTAT SENSOR	ALL
8	GTP2900	GAUGE, TEMP AND PRESSURE	PB
9	HLC2501	THERMOSTAT, HI LIMIT 200 DEGREE	PF
10	HLC2701	THERMOSTAT, HI LIMIT W/ AUTO RESET	ALL
11	PLT3400	IGNITOR, HOT SURFACE	ALL
12	RLV2001	RELIEF VALVE, PRESSURE ONLY	PB 502-1002
12	RLV2003	RELIEF VALVE, PRESSURE ONLY	PB 1302
12	RLV2007	RELIEF VALVE, TEMPERATURE & PRESSURE	PF
13	WTR2040	FLOW SWITCH	ALL
14	PRS2431	SWITCH, LOW AIR	502 - LP - F9
14	PRS2432	SWITCH, LOW AIR	502 - NAT - F9
14	PRS2433	SWITCH, LOW AIR	752 - LP - F9
14	PRS2434	SWITCH, LOW AIR	752 - NAT - F9
14	PRS2435	SWITCH, LOW AIR	1002 - LP - F9
14	PRS2436	SWITCH, LOW AIR	1002 - NAT - F9
14	PRS2437	SWITCH, LOW AIR	1302-F9
14	PRS2016	SWITCH, LOW AIR	502 - LP - M9
14	PRS2450	SWITCH, LOW AIR	502 NAT & 752-1302-M9 NAT/LP
GAS TRAIN ASSEMBLIES			
15	BNR3713	BURNER	502
15	BNR3714	BURNER	752
15	BNR3715	BURNER	1002
15	BNR3716	BURNER	1302
19	VAL3417	VALVE, GAS	502-M9
19	VAL3418	VALVE, GAS	752-M9
19	VAL3419	VALVE, GAS	1002-M9
19	VAL3420	VALVE, GAS	1302-M9
20	VAL2131	VALVE, GAS DIAPHRAM 1"	502-F9 NAT & LP
20	VAL2132	VALVE, GAS DIAPHRAM 1 1/4"	752-1002-1302 - NAT - F9
20	VAL2019	VALVE, GAS DIAPHRAM 1 1/4"	752-1002-1302 - LP - F9
21	VAL2133	VALVE, MAIN GAS 1"	502 - NAT - F9
21	VAL2726	VALVE, MAIN GAS 1"	502 - LP - F9
21	VAL2134	VALVE, MAIN GAS 1 1/4"	752-1002-1302 - NAT - F9
21	VAL2520	VALVE, MAIN GAS 1 1/4"	752-1002-1302 - LP - F9
22	VAL2722	VALVE, VENTURI	502-M9
22	VAL2723	VALVE, VENTURI	752-1002-M9
22	VAL2724	VALVE, VENTURI	1302-M9
22	MAN2149	VALVE, VENTURI	ALL F9
23	GAC2029	GAS COCK	502
23	GAC2030	GAS COCK	752-1002-1302
24	VAL2207	VALVE, BALL	ALL 502
24	VAL2208	VALVE, BALL	752-1002-F9 & 752-1002-1302-M9
25	ORF2762	ORIFICE, BURNER	502 - NAT - F9
25	ORF2763	ORIFICE, BURNER	752 - NAT - F9
25	ORF2764	ORIFICE, BURNER	1002 - NAT - F9
25	ORF2765	ORIFICE, BURNER	1302 - NAT - F9
25	ORF2766	ORIFICE, BURNER	502 - LP- F9
25	ORF2767	ORIFICE, BURNER	752 - LP - F9
25	ORF2768	ORIFICE, BURNER	1002 - LP - F9
25	ORF2769	ORIFICE, BURNER	1302 - LP -F9

ITEM NO.	PART NO.	DESCRIPTION	MODEL NUMBER
HEAT EXCHANGER ASSEMBLIES			
26	HEX3228	HEAT EXCHANGER(HLW)	PF502
26	HEX3236	HEAT EXCHANGER (H)	PB502
26	HEX3229	HEAT EXCHANGER(HLW)	PF752
26	HEX3237	HEAT EXCHANGER (H)	PB752
26	HEX3230	HEAT EXCHANGER(HLW)	PF1002
26	HEX3238	HEAT EXCHANGER (H)	PB1002
26	HEX3231	HEAT EXCHANGER(HLW)	PF1302
26	HEX3239	HEAT EXCHANGER (H)	PB1302
27	JKH2016	V BAFFLE (20 REQ.)	502
27	JKH2017	V BAFFLE (20 REQ.)	752
27	JKH2018	V BAFFLE (20 REQ.)	1002
27	JKH2019	V BAFFLE (20 REQ.)	1302
37	JKP6569	V BAFFLE STRAP (3 REQ.)	ALL
28	TST2300	HIGH LIMIT BULBWELL	ALL
29	TST2306	OPERATOR BULBWELL	ALL
MISCELLANEOUS			
-	PUM3013	PUMP	ALL PF
30	FAN2027	FAN,VENTILATION	ALL
31	MSC2731	BURNER SIGHT GLASS	ALL
32	FIL2001	AIR FILTER	ALL
33	GKT2012	IGNITOR GASKET	ALL
-	GKT2053	JACKET GASKET	ALL
34	GKT2033	FLANGE GASKET	ALL
35	GKT2034	BURNER/BLOWER GASKET	ALL
36	GKT2035	BURNER/ HEX GASKET	ALL
-	GKT2036	HEX/INNER TOP GASKET	ALL
38	GKT2705	HEX/DIVIDER PANEL GASKET	ALL
39	MSC2975	CONDENSATE TRAP	ALL
40	RLY2902	RELAY, LOUVER	ALL
41	TST3012	FLUE SENSOR KIT	ALL
-	KIT3118	KIT, HIGH/LOW GAS PRESSURE SWITCH	ALL
-	KIT3115	KIT, OUTDOOR AIR RESET	ALL
-	KIT3109	CONTACT KIT, ANY FAILURE WITH ALARM	ALL
-	KIT3110	KIT, MANUAL RESET LOW WATER CUTOFF	ALL

PLEASE HAVE MODEL NUMBER AND SERIAL NUMBER WHEN ORDERING PARTS.